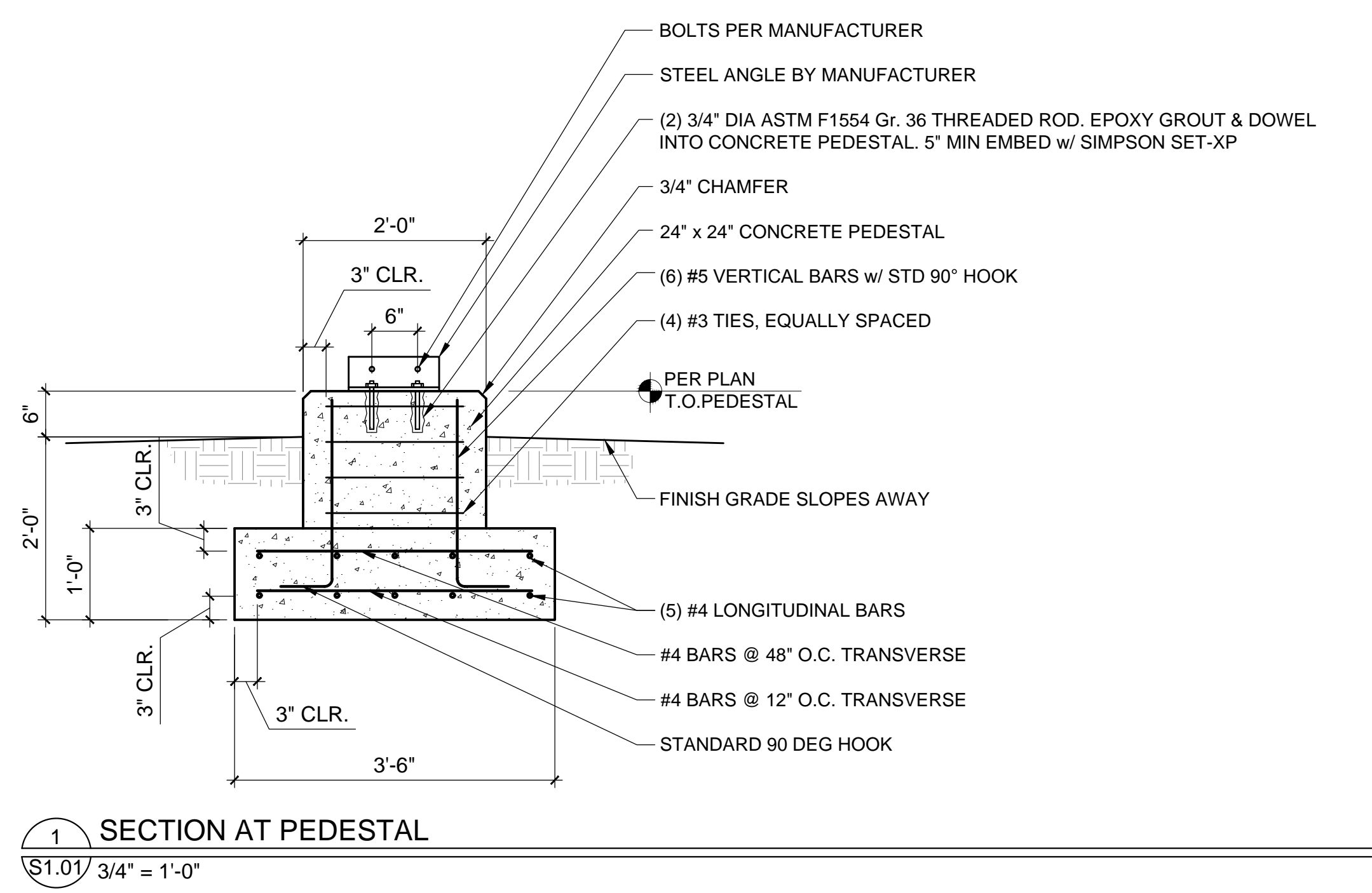
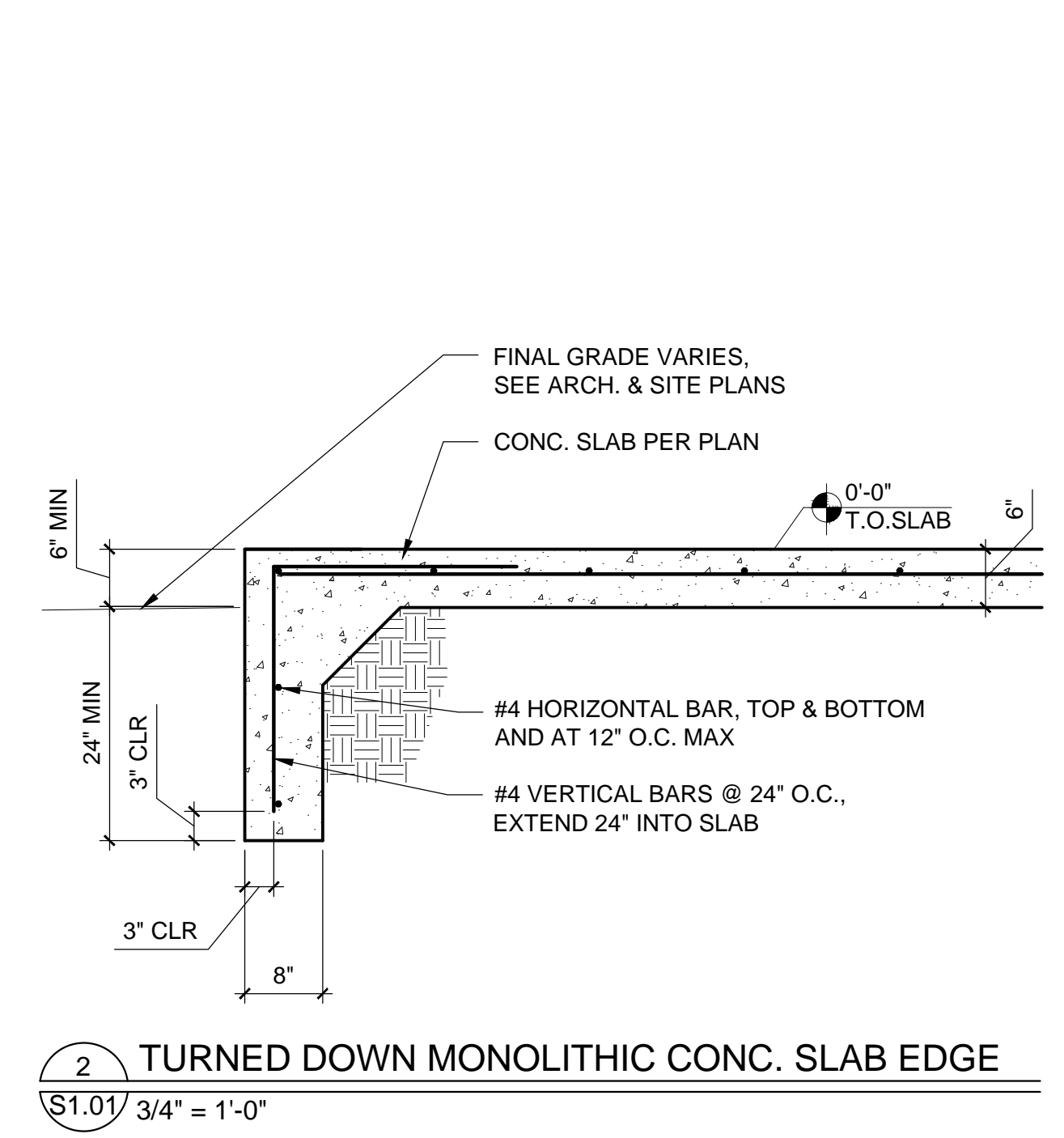


1S FOUNDATION PLAN
S1.01/ 1/4" = 1'-0"



1 SECTION AT PEDESTAL
S1.01/ 3/4" = 1'-0"



2 TURNED DOWN MONOLITHIC CONC. SLAB EDGE
S1.01/ 3/4" = 1'-0"

GENERAL NOTES
CONTRACTOR SHALL COORDINATE FINAL DIMENSIONS w/ TRAINING STRUCTURE MANUFACTURER PRIOR TO CONSTRUCTION. ANY REVISIONS TO FOUNDATION SHALL BE SUBMITTED TO ENGINEER FOR APPROVAL.

LUCHINI TRUJILLO
STRUCTURAL ENGINEERS, INC.
1919 FIFTH STREET SUITE N • SANTA FE, NM 87505
6913 SHOSHONE RD. NE • ALBUQUERQUE, NM 87110
(505) 424-3232 • INFO@LTSENG.COM • LTSENG.COM

ENGINEER'S SEAL
Eric D. Trujillo, PE
New Mexico License
Number 21656
LTSE JOB # 1234
100% CD

**AGUA FRIA FIRE & RESCUE STATION NO. 1,
FIRE TRAINING FACILITY**
58 COUNTY ROAD 62, SANTA FE, NM 87507

NO.	DATE	COMMENTS

DRAWN BY:	JAR
CHECKED BY:	EDT
DATE:	12-2-2015
SCALE:	AS SHOWN
ORIGINAL SIZE:	24" x 36"

SHEET TITLE
Foundation Plan and Details

SHEET
S1.01