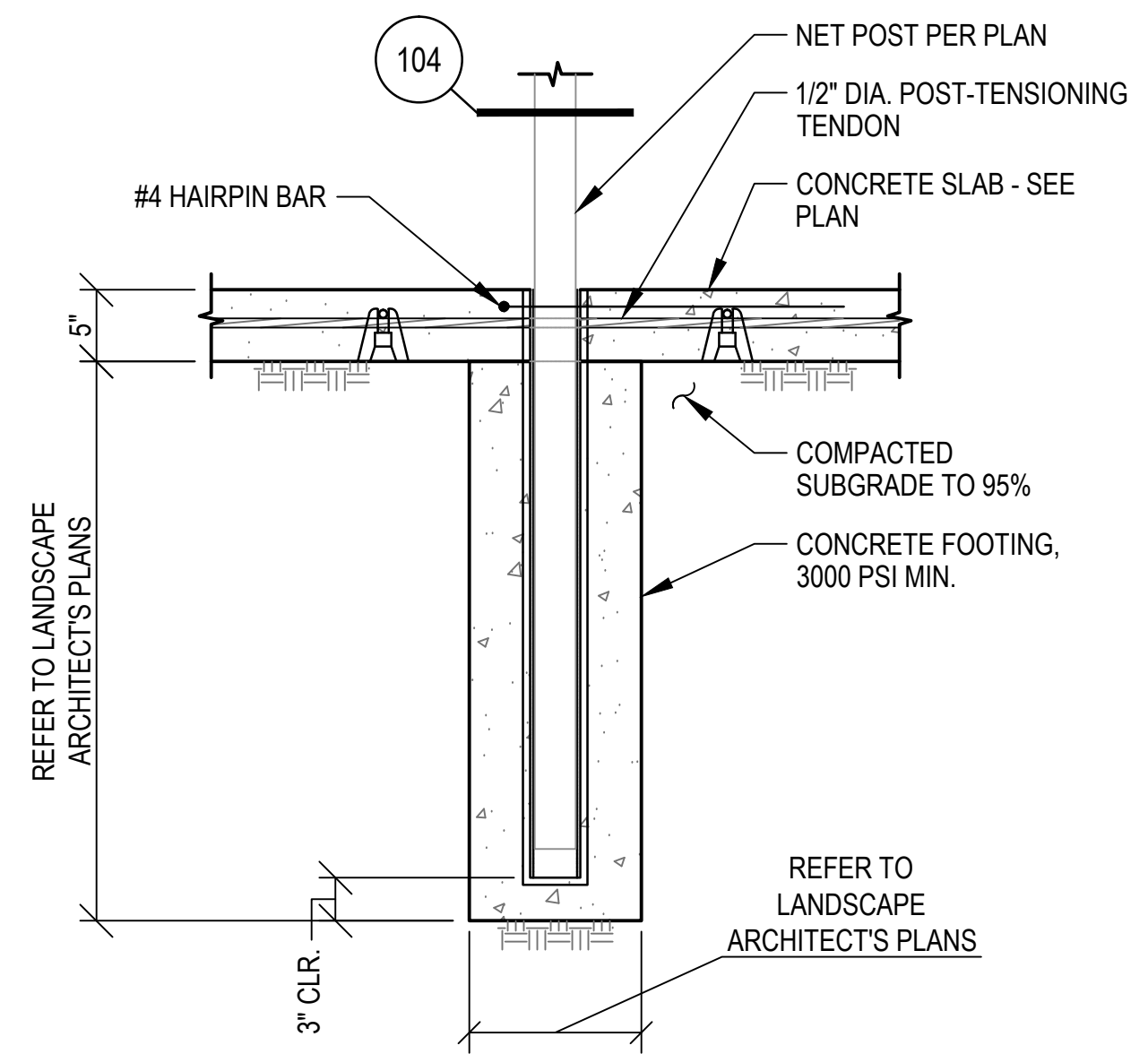
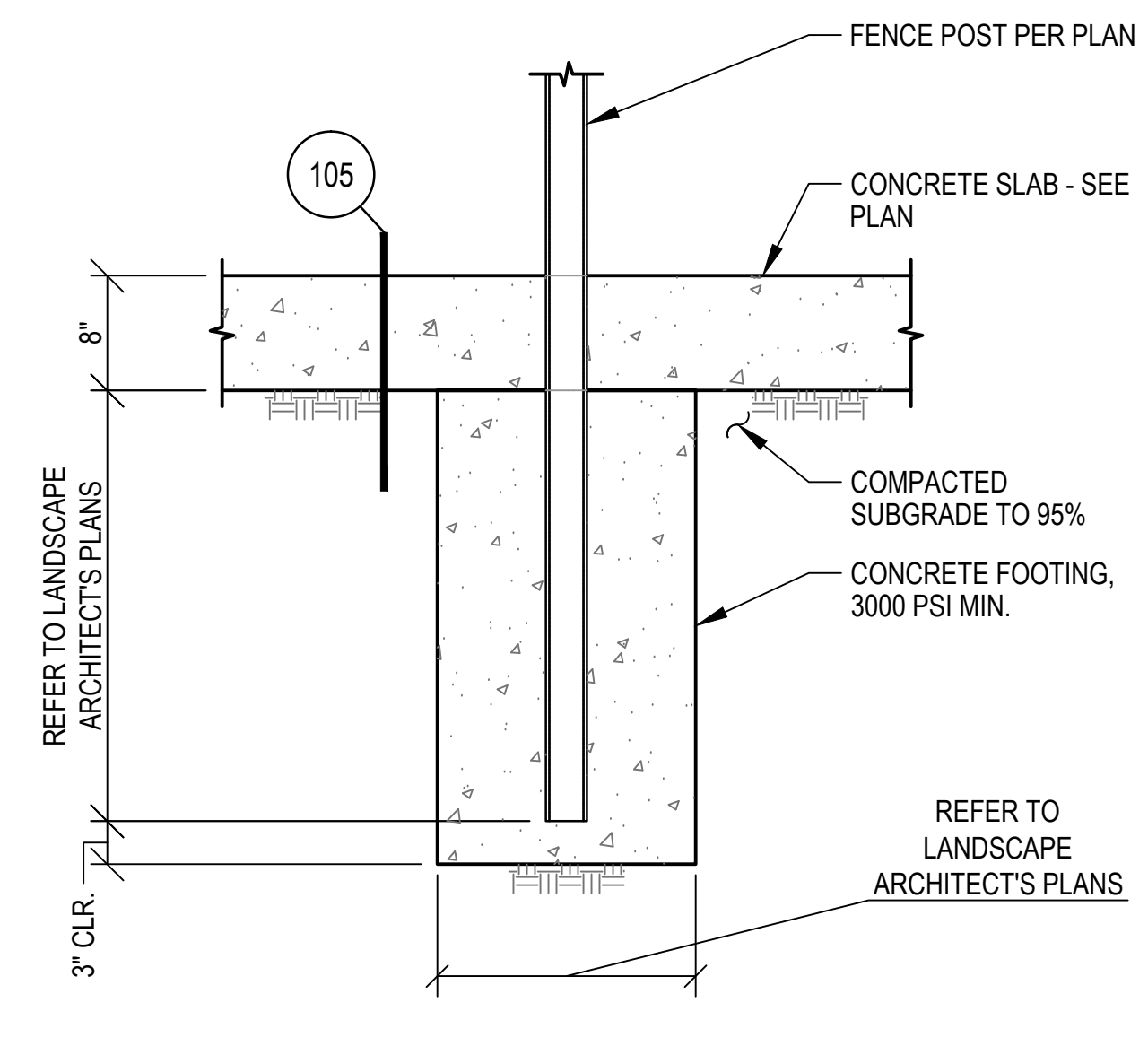


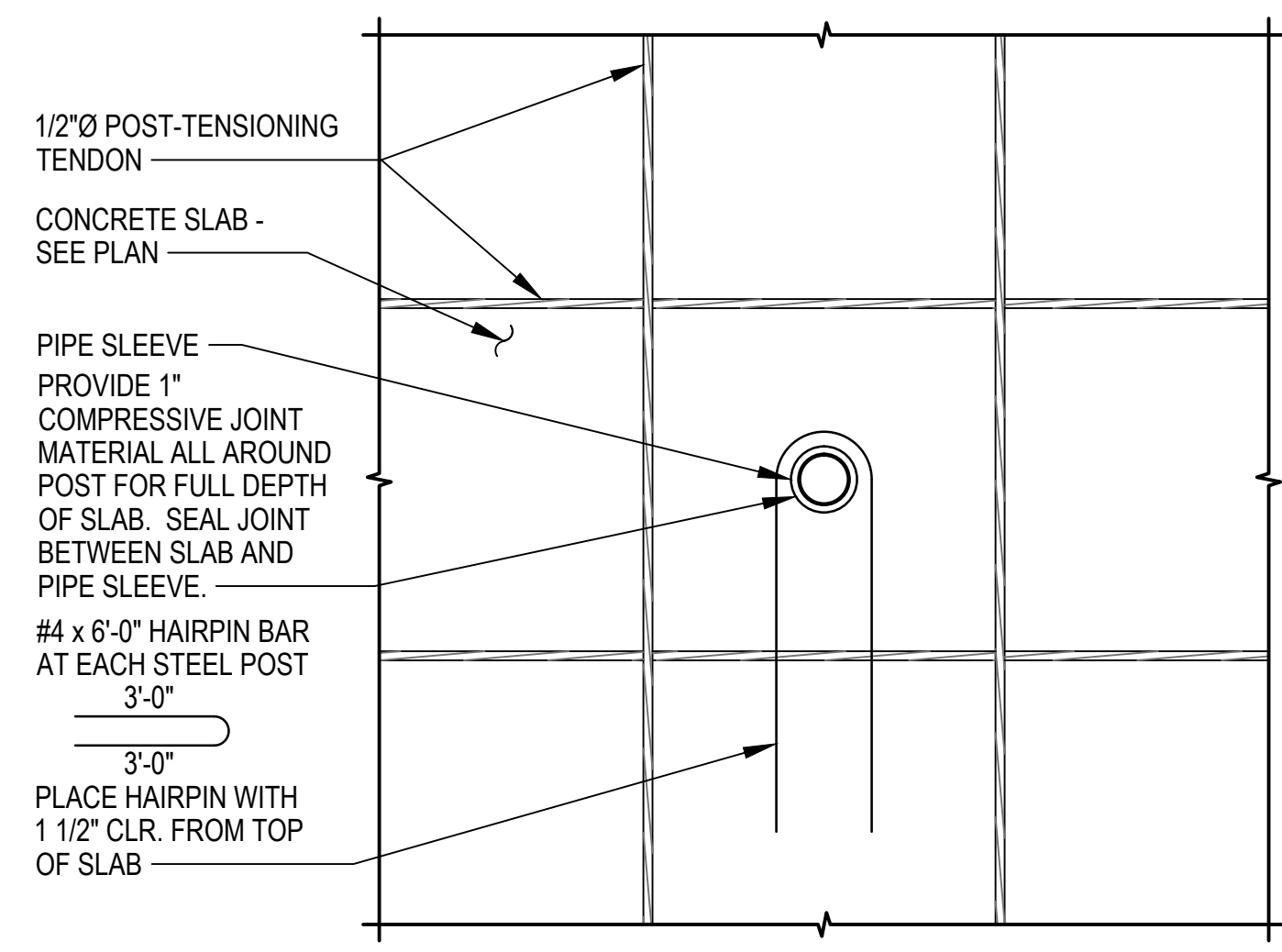
POST TENSIONED SLAB PERIMETER DETAIL 101



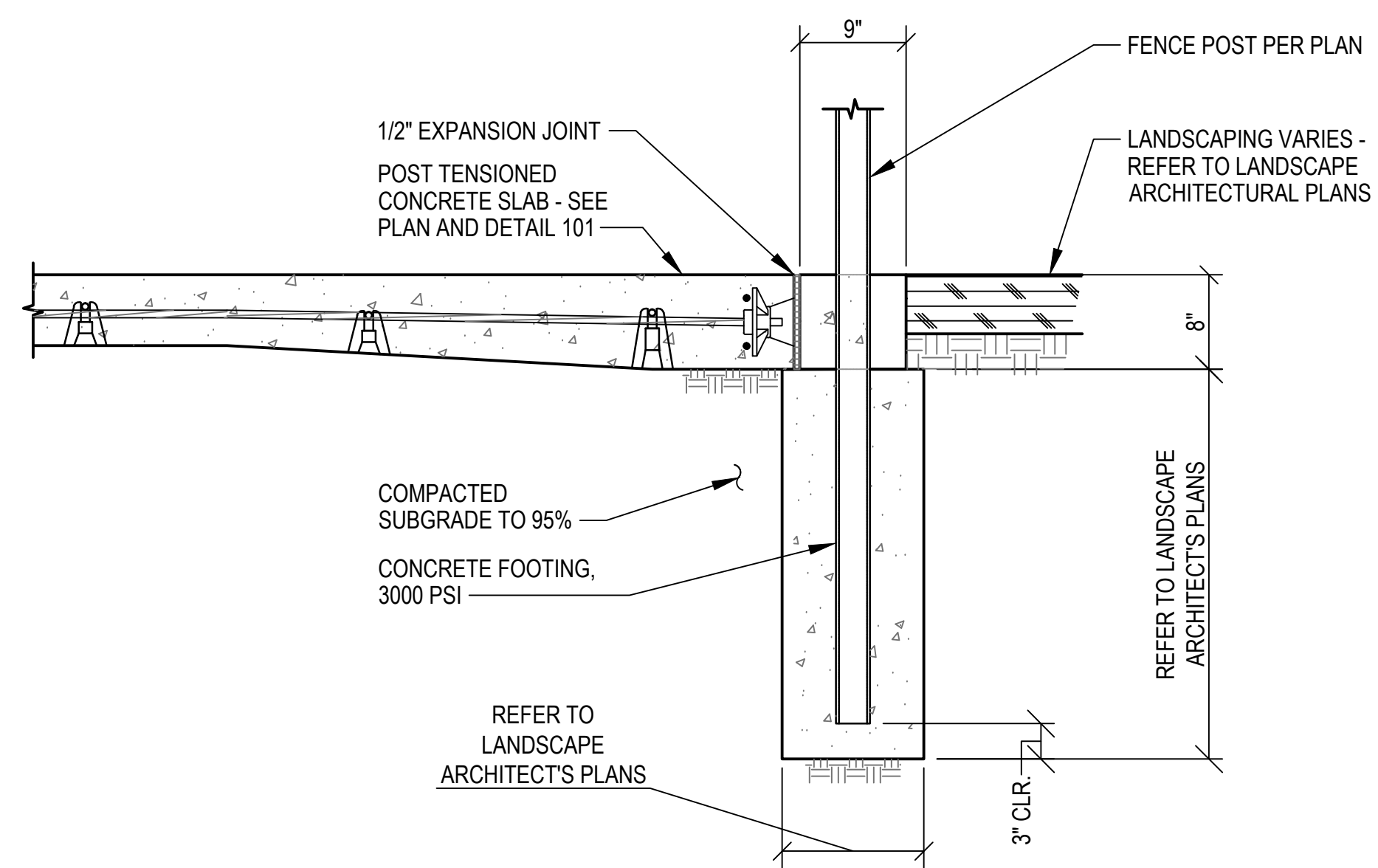
NET POST IN POST TENSIONED FOUNDATION DETAIL 102



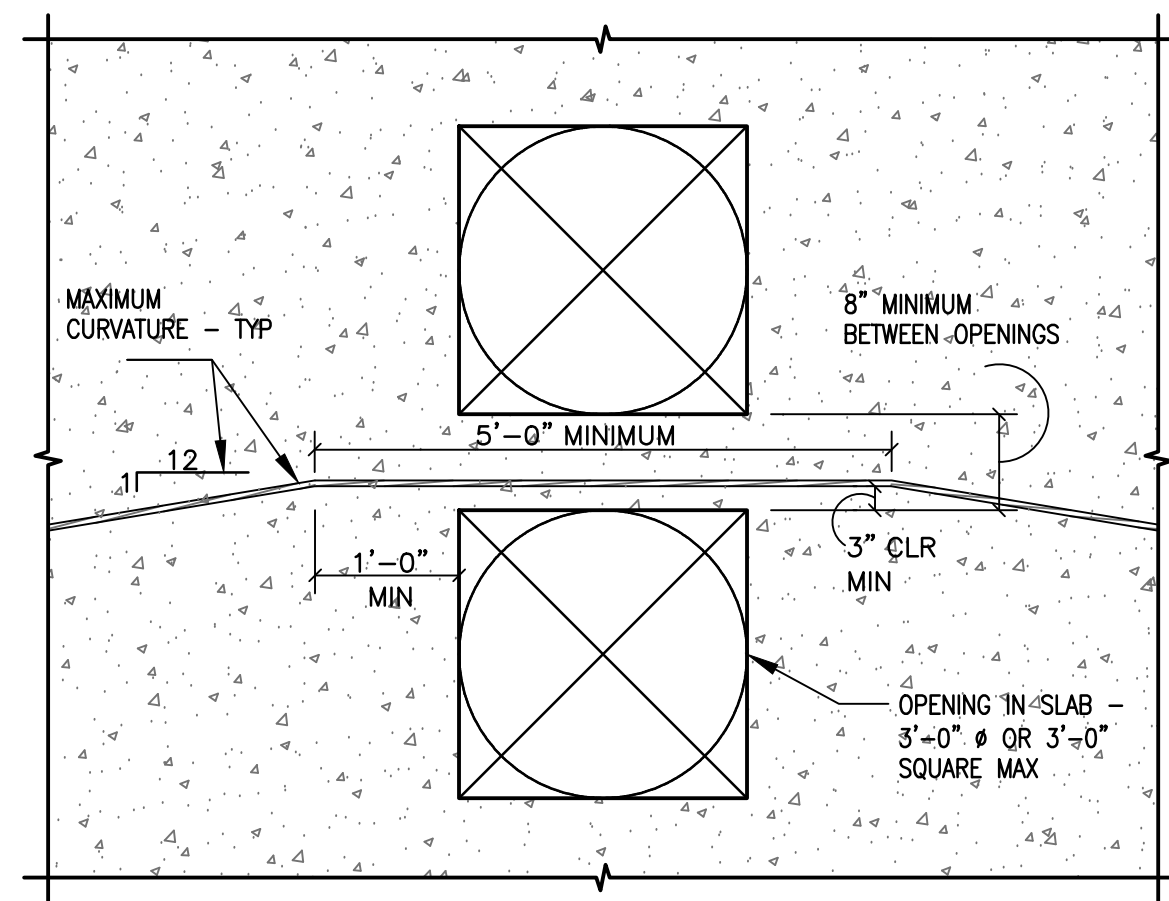
PERIMETER FENCE POST DETAIL 103



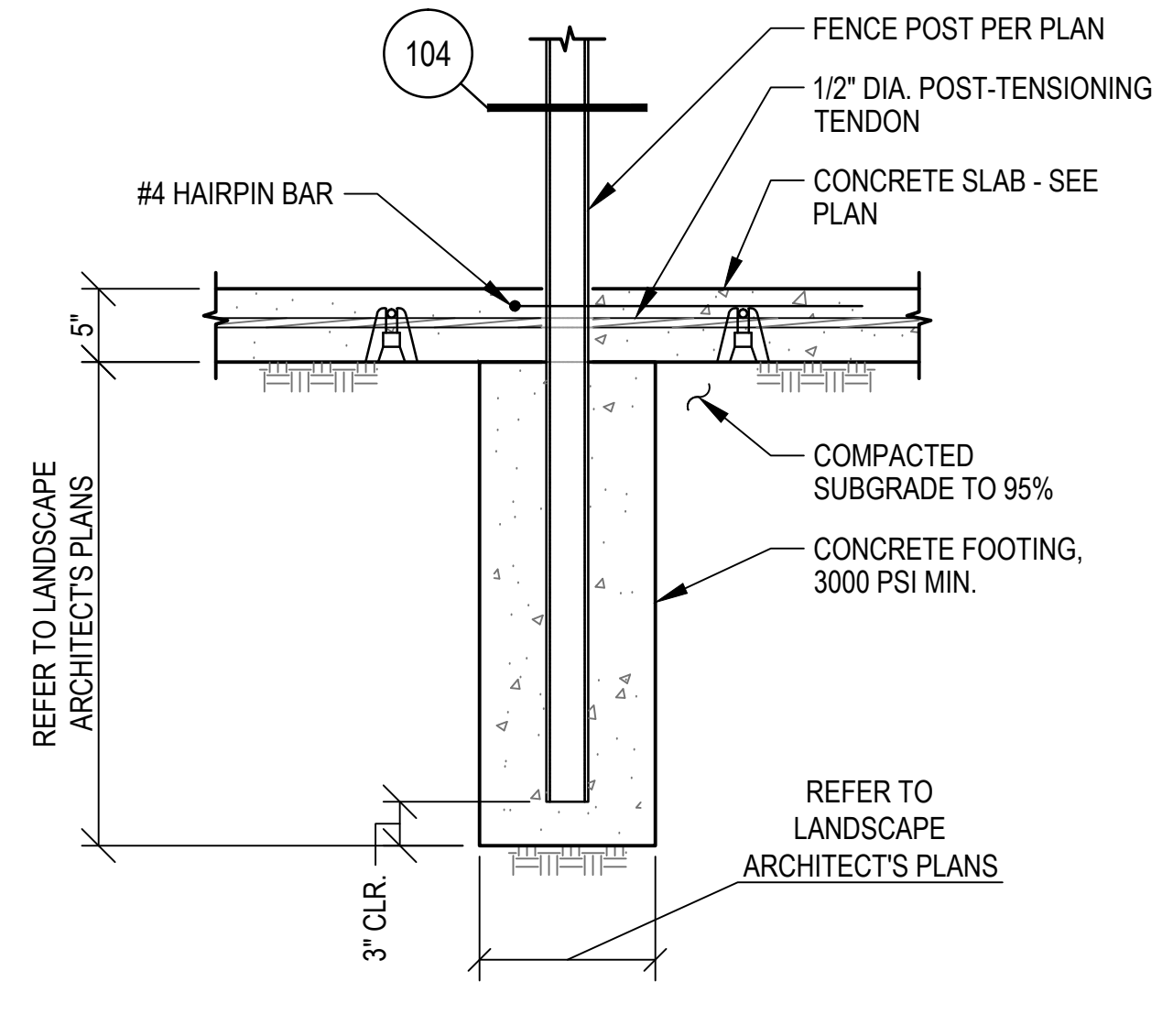
FENCE POST OR NET POST IN POST TENSIONED SLAB DETAIL (PLAN VIEW) 104



PERIMETER FENCE POST DETAIL 105



TYPICAL TENDON PLACEMENT AT OPENINGS TYPICAL DETAIL 106



DIVIDER FENCE POST IN POST TENSIONED FOUNDATION DETAIL 107

REVISIONS		
ISSUED	DATE	DESCRIPTION

DESIGN ENGINEER  
 PO BOX 2758  
 SANTA FE, NM 87504  
 T.505.983.3557

HYDROSYSTEMS KDI  
 880 Labor Street, Suite 200  
 Lakewood, CO 80401-5954  
 T.303.980.5327  
 www.hydrosystemsmdi.com

**design office**  
 landscape planning urbanism

DESIGN OFFICE  
 3000 Luisa Street, Suite 24  
 Santa Fe, NM 87505  
 T.505.983.1415  
 www.do-designoffice.com

**ROMERO PARK - SITE IMPROVEMENTS**

**SANTA FE COUNTY**

**2100 CAJA DEL ORO GRANT ROAD  
 SANTA FE, NEW MEXICO 87507**

DRAWN BY: CM DATE: 12.20.19

SHEET TITLE: FOUNDATION DETAILS

SHEET NUMBER: **S2.1**

THIS DRAWING IS NOT TO BE USED FOR CONSTRUCTION PURPOSES UNTIL SEALED AND SIGNED BY ENGINEER OF RECORD. REUSE OR REPRODUCTION WITHOUT WRITTEN PERMISSION IS PROHIBITED ©

