

Change Order to Contract No. 2011-0229-UT/MS

Change Order No. 3

Date of Issuance: 9/26/11

Effective Date: 9/26/11

Project: Valle Vista LS	Owner: Santa Fe County	Owner's Contract No.: 2011-0229-UT/MS
Contract: 2011-0229-UT/MS	Date of Contract: April 11, 2011	
Contractor: RMCI INC.	Engineer's Project No.: 2011-0111-UT/MS	

The Contract Documents are modified as follows upon execution of this Change Order by the Santa Fe County Manager or Santa Fe Board of County Commissioners:

Description of change or changes:

PLEASE SEE ATTACHED: FOR DETAILED SUPPORTING DOCUMENTATION

Attachments (list documents supporting change that corresponds to each change listed above):
MEMO, PO#957960, Attachment "A". Legal Contract Form

CHANGE IN CONTRACT PRICE:

CHANGE IN CONTRACT TIMES:

Original Contract Price:

\$ 803,694.00 Exclusive of GRT

[Increase] [Decrease] from previously approved Change Orders No. 1 to No. 2
[Inc. \$26,680.00] [Dec. \$31,233.25]
\$ Exclusive of GRT

Contract Price prior to this Change Order:
\$799,140.75 Exclusive of GRT

[Increase] [Decrease] of this Change Order:
\$ Increase \$69,759.00
Exclusive of GRT

Contract Price incorporating this Change
\$868,899.75 Exclusive of GRT

Original Contract Times: Working Calendar days
Substantial completion (days or date): 7/22/11
Ready for final payment (days or date): _____

[Increase] [Decrease] from previously approved Change Orders No. 1 to No. 2:
Substantial completion (days): 0
Ready for final payment (days): 0

Contract Times prior to this Change Order:
Substantial completion (days or date): 7/22/11
Ready for final payment (days or date): _____

[Increase] [Decrease] of this Change Order:
Substantial completion (days or date): 0
Ready for final payment (days or date): 0

Contract Times with all approved Change Orders:
Substantial completion (days or date): 7/22/11
Ready for final payment (days or date): _____

RECOMMENDED:

By: _____
Engineer (Authorized Signature)
By: _____
Project Manager

APPROVED:

By: Katherine Cole
Owner (Authorized Signature)
SANTA FE COUNTY

ACCEPTED:

By: _____
Contractor (Authorized Signature)

Approved as to form
Santa Fe County Attorney
By: _____
Date: Sept 28 2011

JKM

Date: _____ Date: _____
Approved by Funding Agency (if applicable): _____

Date: 9/26/2011
Date: _____

Change Order

Instructions

A. GENERAL INFORMATION

This document was developed to provide a uniform format for handling contract changes that affect Contract Price or Contract Times. Changes that have been initiated by a Work Change Directive must be incorporated into a subsequent Change Order if they affect Price or Times.

Changes that affect Contract Price or Contract Times should be promptly covered by a Change Order. The practice of accumulating Change Orders to reduce the administrative burden may lead to unnecessary disputes.

If Milestones have been listed in the Agreement, any effect of a Change Order thereon should be addressed.

For supplemental instructions and minor changes not involving a change in the Contract Price or Contract Times, a Field Order should be used.

B. COMPLETING THE CHANGE ORDER FORM

Engineer normally initiates the form, including a description of the changes involved and attachments based upon documents and proposals submitted by Contractor, or requests from Owner, or both.

Once Engineer has completed and signed the form, all copies should be sent to Owner or Contractor for approval, depending on whether the Change Order is a true order to the Contractor or the formalization of a negotiated agreement for a previously performed change. After approval by one contracting party, all copies should be sent to the other party for approval. Engineer should make distribution of executed copies after approval by both parties.

If a change only applies to price or to times, cross out the part of the tabulation that does not apply.

August 17, 2011

Santa Fe County
 Utilities Department
 PO Box 276
 Santa Fe, NM 87507

Attn: Paul Casaus

RE: VALLE VISTA LIFT STATION
 RFP #08 – PRV VAULT ON 16" WATERLINE

Dear Paul:

RMCI, INC. is in receipt of a variety of emails from the County regarding the installation of a PRV vault on the 16" transmission line to the south of the project. Please review the attached detailed costs associated with this work and provide a new construction pay item:

<u>BID ITEM</u>	<u>DESCRIPTION</u>	<u>QUANTITY</u>	<u>UNIT</u>	<u>UNIT PRICE</u>	<u>TOTAL PRICE</u>
TBD	12" PRV Vault on 16" Transmission Line	1	EA	\$69,759.00	\$69,759.00

The following clarifications apply to this proposal:

- 1) NMGRT is not included.
- 2) A time extension is not required for this work as it is not considered a requirement for substantial completion. Should the County consider this work a requirement for substantial completion, then RMCI reserves the right to revise this proposal accordingly.
- 3) The work is based upon the attached drawing (sheet C602).
- 4) RMCI will provide an 8'x8'x8' precast vault. *RMCI cannot verify the depth of the existing line and assumes this vault meets the design intent. Verification of line depth and vault size is by Owner.*
- 5) The vault will be offset from the 16" line by 20'-30'. This will allow the vault and associated piping to be completed prior to tie-in to the existing line.
- 6) The tie-in to the existing line will require an outage for roughly 10-12 hours. This includes 2 hours draining operations.
- 7) All piping is ductile iron with MJ connections. All underground pipe will be wrapped and have a tracer wire.
- 8) Painting of the pipe within the vault is not included.
- 9) The berm around the top of the vault will be built as best as possible utilizing any leftover spoils. Hauling of additional spoils is not included.

- 10) No bacterie testing is included. RMCI will swab all piping with chlorine during installation and will cap the open ends at the end of each day.
- 11) Lead time for most items is 6-8 weeks after receipt of an approved Change Order.

Should you have any questions or concerns please do not hesitate to call.

Sincerely,



Doug Harned
Project Manager

DH:sc

Enclosure: Work summary sheet
Detailed cost breakdown
Detailed pipe cost breakdown
Hydra-Crete quote dated 8/17/11
Halliday quote dated 8/17/11
Cutsheet for Halliday hatch
JCH quote dated 8/16/11
HD Supply quote dated 8/16/11
Drawings "sheet no. C602"

cc: File No. 1105.02a
Field

DESCRIPTION OF WORK: PRV vault on 16" Line

DESCRIPTION	QUANTITY	UNIT	UNIT PRICE	EXTENSION	TOTAL
-------------	----------	------	------------	-----------	-------

LABOR

see attached	1	LS	\$4,795.00	\$4,795	
TOTAL LABOR					\$4,795
TOTAL LABOR BURDEN @ 70%					\$3,356

EQUIPMENT

small tools & consumables (5% of labor)	1	LS	\$239.75	\$240	
see attached	1	LS	\$12,225.00	\$12,225	
TOTAL EQUIPMENT					\$12,465

MATERIAL

see attached	1	LS	\$37,948.00	\$37,948	
TOTAL MATERIAL					\$37,948

SUBCONTRACT

				\$0	
TOTAL SUBCONTRACT					\$0

OTHER

see attached	1	LS	\$2,500.00	\$2,500	
TOTAL OTHER					\$2,500

TOTAL LABOR, BURDEN, EQUIPMENT, MATERIAL, SUBCONTRACT, AND OTHER					\$61,064
Bonds and Insurance @ 2%					\$1,221
SUBTOTAL					\$62,285
OH&P @ 12%					\$7,474
TOTAL					\$69,759

A TIME EXTENSION IS NOT REQUIRED FOR THIS CHANGE



Project: Valle Vista LIn Station
 Location: Santa Fe, NM
 Architect:
 Proposal Date: 8/18/11
 RMCI Job No: 1705

QUANTITY PRICING SHEETS
 INITIALS
 DATE
 PRICED BY:
 CHECKED BY:
 APPROVED BY:

COST CODE	DESCRIPTION	QUANTITY	UNIT	LABOR			70% BURDEN AMOUNT	EQUIPMENT		MATERIAL		SUBCONTRACT		OTHERS		TOTAL AMOUNT
				UNIT \$	UNIT MAN-HOUR	WAGE RATE		AMOUNT	AMOUNT	UNIT \$	AMOUNT	UNIT \$	AMOUNT	UNIT \$	AMOUNT	
1	REP 8 - Installation of PRV on 18" Line															
	Excavate and install Vault															
	Operator	10	HR	18.00		18.00	\$126									\$306
	Laborer	20	HR	15.00		15.00	\$300									\$510
	PC 200 Excavator	10	HR					186.02	\$1,860							\$1,860
	1 Ton Flatbed Truck	10	HR					57.42	\$574							\$574
	500 gall Water Trailer	10	HR					23.55	\$236							\$236
	Equipment Transport (excavator up and back)	1	LS													\$2,500
	8'x8'x6' Precast Vault	1	EA							6,400.00						\$6,400
	Halfday Hitch	1	EA							1,272.00						\$1,272
	Gravel for Sump	1	LS							125.00						\$125
	Piping at PRV Vault															
	Operator	20	HR	18.00		18.00	\$360									\$360
	Pipe Fitter	20	HR	28.30		28.30	\$566									\$566
	Laborer	20	HR	15.00		15.00	\$300									\$300
	PC 200 Excavator	20	HR					186.02	\$3,760							\$3,760
	1 Ton Flatbed Truck	20	HR					57.42	\$1,148							\$1,148
	500 gall Water Trailer	20	HR					23.55	\$471							\$471
	12" Dia-Vel PRV	1	EA							11,083.00						\$11,083
	4" Dia-Vel PRV	1	EA							2,703.00						\$2,703
	Pipe Materials (see attached)	1	LS							15,705.24						\$15,705
	Concrete for Pedastals (incl. short load fee)	1	CY							250.00						\$250
	Misc. Materials (formwork, grout, etc...)	1	LS							400.00						\$400
	Tie-In To Existing Line															
	Operator	10	HR	18.00		18.00	\$180									\$180
	Operator	2	OT	27.00		27.00	\$54									\$54
	Pipefitter	10	HR	28.30		28.30	\$283									\$283
	Pipefitter	2	HR	42.45		42.45	\$65									\$65
	Laborer	20	HR	15.00		15.00	\$300									\$300
	Laborer	4	OT	22.50		22.50	\$90									\$90
	PC 200 Excavator	12	HR					186.02	\$2,256							\$2,256
	1 Ton Flatbed Truck	12	HR					57.42	\$689							\$689
	500 gall Water Trailer	12	HR					23.55	\$283							\$283

PIPE MATERIALS FOR PRV VAULT

Description	Qty	Unit	\$/Unit	Total
16" DIP Pipe	18	LF	37.33	\$671.94
16" MJ Solid Sleeve	2	EA	\$246.81	\$493.62
16"x12" MJ LEB Reducer	2	EA	\$197.22	\$394.44
16" Megalugs	6	EA	\$145.57	\$873.42
12" MJ BFV	2	EA	\$1,315.00	\$2,630.00
12" DIP Pipe	108	LF	\$24.89	\$2,688.12
12" MJ 90 deg ell	4	EA	\$182.40	\$729.60
12"x4" MJ Tee	2	EA	\$171.57	\$343.14
12" Megaflange	2	EA	\$265.73	\$531.46
12" Megalugs	16	EA	\$81.85	\$1,309.60
12" Joint Restraint	2	EA	\$111.10	\$222.20
4" MJ Gate Valve	2	EA	\$368.78	\$737.56
4" DIP Pipe	54	LF	\$12.44	\$671.76
4" MJ 90 deg ell	2	EA	\$35.34	\$70.68
4" Megaflange	2	EA	\$62.97	\$125.94
4" Megalug	10	EA	\$24.76	\$247.60
Valve Cans - complete	4	EA	\$64.75	\$259.00
16" Polywrap	220	LF	\$0.70	\$154.00
12" Polywrap	220	LF	\$0.55	\$121.00
4" Polywrap	220	LF	\$0.63	\$138.60
Tape for polywrap	1	LS	\$55.80	\$55.80
Tracer Wire	500	LF	\$0.17	\$85.00
12"x1" Tapping Saddle	2	EA	\$90.39	\$180.78
1"x3" Galv. Nipple	10	EA	\$1.16	\$11.60
1" Galv. Tee	2	EA	\$1.87	\$3.74
1" Galv. Cap	1	EA	\$1.21	\$1.21
1" Ball Valve	4	EA	\$11.80	\$47.20
3" Ashcroft Digital Pressure Gauge	2	EA	\$437.00	\$874.00
4"x1" Tapping Saddle	2	EA	\$47.24	\$94.48
1"x3" Galv. Nipple	10	EA	\$1.16	\$11.60
1" Galv. Tee	2	EA	\$1.87	\$3.74
1" Galv. Cap	1	EA	\$1.21	\$1.21
1" Ball Valve	4	EA	\$11.80	\$47.20
3" Ashcroft Digital Pressure Gauge	2	EA	\$437.00	\$874.00
				\$15,705.24

12,741.08

554.40

pressure gauge assembly
 pressure gauge assembly
 pressure gauge assembly
 pressure gauge assembly
 pressure gauge assembly
 pressure gauge assembly
 pressure gauge assembly
 pressure gauge assembly
 pressure gauge assembly
 pressure gauge assembly
 pressure gauge assembly
 pressure gauge assembly

2,150,76

QUOTATION

Hydra-Crete, Inc.

PRECAST CONCRETE DIVISION

P.O. Box 90035 *** Albuquerque, New Mexico 87199-0035 *** Phone (505) 797-9205 *** Fax (505) 797-9183

Company: RMCI, Inc.
 Attn: Doug Harned
 Address:

Quote Number: CP11-0817-1
 Date of Quotation: 8/17/11
 Project: Santa Fe County Utilities Division PRV Vault

Fax: 505-345-0111

Bid Opening: N/A

This quotation is an offer by Hydra-Crete, Inc. ("Seller") to sell construction materials and is made subject to all terms and conditions herein. Acceptance by the Purchaser specified below in writing within thirty (30) days from date of quotation shall constitute a binding Contract between Seller and Purchaser in accordance with the terms, conditions, and special provisions herein. All past due balances are subject to a 1.5% per month finance charge.

ITEM NO	ESTIMATED QUANTITY	DESCRIPTION	UNIT PRICE*	EXTENSION
1	1	8' x 8' x 8' clear I.D. traffic rated PRV vault, (up to 4 pieces). Includes 7" construction with 8" lid slab, wall cast-outs, cast-in of customer provided rim and cover, M.A. Industries steps, Ram-Nek joint sealer, all lift hardware, FOB HCI yard Albuquerque. Total weight: +/- 37000 lbs	5980.00/ea	5980.00
1 alt 1	1	Delivery, Santa Fe, NM, FOB truck jobsite	420.00/ea	420.00
		Total with alternate		6400.00

*Price does not include state or local taxes.

Special Provisions:

Terms of Payment: Net 10th prox.

Delivery Point: See above

Delivery Date: As required depending upon receipt of rim & cover

ACCEPTED this _____ day of _____, 2011, upon the terms and conditions contained herein.

Firm: _____

By: _____

Title: _____
 Purchaser

Respectfully submitted by

Hydra-Crete, Inc.

By: 

David M. McCormick

Title: President
 Seller



Halliday Products, Inc.
 6401 Edgewater Dr
 Orlando, FL 32810
 P: 407-298-4470 F: 407-298-4534
 Sales@HallidayProducts.com

Price Quotation Number
Q0007434

Date: 08/17/2011

PRICING VALID FOR 90 DAYS

Printed by: Patrick 08/17/11 07:58

Customer: **RMC3350**
 RMC INC
 VERDIE
 PO BOX 91447
 ALBUQUERQUE NM 87199
 US
 Quote To: **DOUG HARNED**
 Phone: **505-345-0008**
 Fax: **(505) 345-0111**

Payment Terms:
 NET 30
Ship Method:
 FEDEX PR
Halliday Products Salesperson:
 PATRICK HANLEY
Production Time:
 10 TO 12 BUS. DAYS

Freight Estimated To:
 RMC INC
 6211 CHAPPELL ROAD NE
 ALBUQUERQUE, NM 87113
Job Tag / Reference:
 PRICE & AVAILABILITY

<u>Qty</u>	<u>Item Number</u>	<u>Description</u>	<u>Unit Price</u>	<u>Net Price</u>
1	H1W ACCESS F&C	036048C-B----- The above aluminum access cover to have channel frame, 1 1/2" drain coupling, T316 s.stl. hardware, recessed lift handle, spring assist, slam lock and H20 load rating. Note: The above H20 rated cover is suitable for offstreet locations where not subject to traffic.	1,012.00	1,012.00

****Note: O & M Manuals available in Halliday Products standard format only.****

Subtotal	1,012.00
(Florida Only) Tax	0.00
Estimated Freight	260.00
TOTAL	\$1,272.00 ✓

Please see www.HallidayProducts.com for O & M Manuals and Limited Product Warranties

SERIES H1W ACCESS DOOR

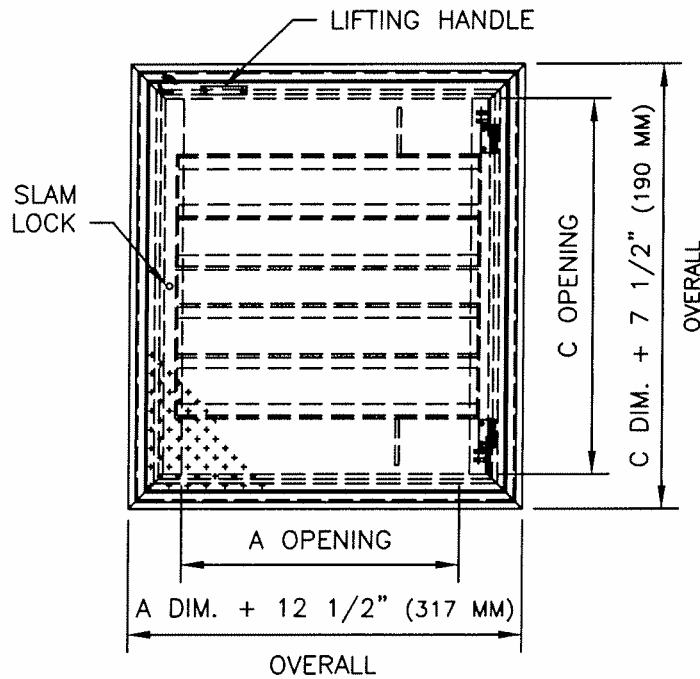


www.HallidayProducts.com
 Phone 800-298-1027
 Fax 407-298-4534
 Sales@HallidayProducts.com

STANDARD FEATURES:

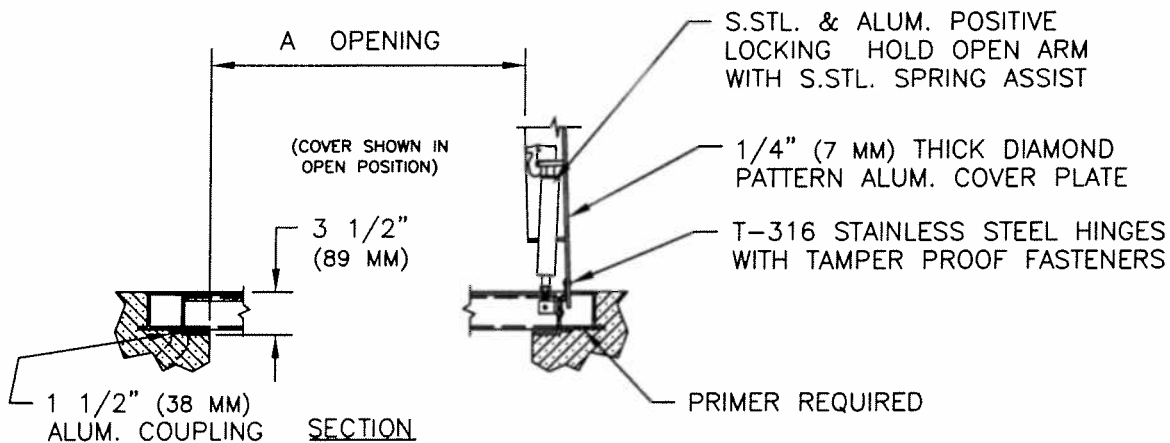
- AUTO-LOCK T-316 STAINLESS STEEL HOLD OPEN ARM WITH RELEASE HANDLE
- T-316 STAINLESS STEEL HINGES AND ATTACHING HARDWARE
- T-316 STAINLESS STEEL SLAM LOCK WITH REMOVABLE KEY
- STAINLESS STEEL COMPRESSION SPRING ASSIST
- SINGLE LEAF CONSTRUCTION
- H20 LOAD RATING (SEE NOTES)
- EXTRUDED ALUMINUM CHANNEL FRAME
- RECESSED LIFTING HANDLE
- LIFETIME GUARANTEE

STANDARD SIZES				
QTY.	MODEL NO.	A DIM. INCHES (MM)	C DIM. INCHES (MM)	UNIT WT. LBS. (KG.)
	H1W2424	24 (610)	24 (610)	72 (33)
	H1W2430	24 (610)	30 (762)	90 (41)
	H1W2436	24 (610)	36 (914)	108 (49)
	H1W2442	24 (610)	42 (1067)	126 (57)
	H1W3030	30 (762)	30 (762)	113 (51)
	H1W3036	30 (762)	36 (914)	135 (61)
	H1W3042	30 (762)	42 (1067)	158 (72)
	H1W3048	30 (762)	48 (1219)	180 (82)
	H1W3636	36 (914)	36 (914)	162 (73)
	H1W3642	36 (914)	42 (1067)	180 (82)
	H1W3648	36 (914)	48 (1219)	216 (98)



NOTES:

- 1) SUITABLE FOR USE IN OFF STREET LOCATION WHERE NOT SUBJECTED TO HIGH DENSITY TRAFFIC.
- 2) PROVIDE A FULL BED OF CLASS "A" CONCRETE UNDER FRAME AND SUPPORT ANGLES.





**James,
Cooke, &
Hobson, Inc.**

Sales Engineers

**To: Doug
RMCI**

**From: Bill Curb
JCH/ James, Cooke, and Hobson, Inc.**

**Re: JCH Quote #162-ABQ-CLA-11
Cla-Val Control Valves –Santa Fe County**

Date: August 16, 2011

Unless otherwise stated: Prices are firm for 30 days from bid date. Payment due Net 30 days with approved credit. Prices do not include sales and/or use taxes. Applicable taxes will be added to the invoice at rate in effect at time of shipment. Interest shall accrue on past due amounts at 1.5% per month. Should it become necessary to retain an attorney to collect any and all amounts due herein, purchaser shall be liable for any and all reasonable and necessary attorney fees and costs. Freight terms are F.O.B. factory, Freight Allowed

Doug,
Options described below as indicated preferred by Pego in email dated 07/29/11.

4" Cla-Val Model 90/690G-01BYVKCKD

4" CL-150 flanged ends, globe pattern, Ductile iron body, SS fluted valve stem (KD Option, bronze trim, copper tubing and fittings, isolation cocks in tubing (B Option), Wye strainer in pilot (Y Option), X-101 position indication (V Option), 20 – 105 psig spring range, NSF fusion bonded epoxy coating applied to valve interior/ exterior (KC Option)
Price...\$2,703 per each

12" Cla-Val Model 90/690G-01BYVKCKD

12" CL-150 flanged ends, globe pattern, Ductile iron body, SS fluted valve stem (KD Option, bronze trim, copper tubing and fittings, isolation cocks in tubing (B Option), Wye strainer in pilot (Y Option), X-101 position indication (V Option), 20 – 105 psig spring range, NSF fusion bonded epoxy coating applied to valve interior/ exterior (KC Option)
Price...\$11,093 per each

Shipping to your yard included, shipment via overland truck.
Valve Shipment: 3 weeks after order. Please add 1 week for time in transit via over land truck

Includes JCH start-up/ training trip to adjust valve(s) (One trip/ one man/ 1/2 day). Additional trips to jobsite would be billed at current field service rates.

Please call with any questions.
Thank you
Bill Curb
JCH, Inc.

RMCI, INC.
 STOCK-ALBUQUERQUE
 PO BOX 91447
 ALBUQUERQUE NM 87199
 Telephone: 505-345-0008
 Fax: 505-345-0111

HDSWW - ALBUQUERQUE NM -N
 6135 Second Street NW
 Albuquerque NM 87107
 Telephone: 505-344-0223
 Fax: 505-344-0350

8/15/11 Bid ID: 2849865 VALLE VISTA PRV

Page 1

Line	Quantity	Sell Per	Description	Net Price	Extended Price
10	18	FT	16 TJ PR250 DI PIPE C/L	37.33	671.94
20	2	EA	16 MJ S/P SLEEVE(I) CP DI C153	246.81	493.62
30	2	EA	16X12 LEMJ REDUCER (I) DI C153	197.22	394.44
40	6	EA	16 MEGALUG MJ RESTR. BLK 1116	119.43	716.58
50	6	EA	KIT MJ BOLT & GSKT KIT 16	26.14	156.84
60	6	EA	16 MJ REGULAR GASKET F/DI		
70	72	EA	3/4X4-1/2 COR-TEN T-HEAD B & N		
80	2	EA	12 MJ BUTTERFLY VLV ON PRATT	1,315.00	2,630.00
90	108	FT	12 TJ PR350 DI PIPE C/L	24.89	2,688.12
100	4	EA	12 MJ 90 BEND(I) CP DI C153	182.40	729.60
110	2	EA	12X4 MJ TEE (I) CP DI C153	171.57	343.14
120	2	EA	12 MEGAFLANGE 2112	265.73	531.46
130	16	EA	12 MEGALUG MJ RESTR. BLK 1112	65.48	1,047.68
140	16	EA	KIT MJ BOLT & GSKT KIT 12	16.37	261.92
150	16	EA	12 MJ REGULAR GASKET F/DI		
160	128	EA	3/4X4 COR-TEN T-HEAD B&N		
170	2	EA	12 RESTRAINER F/C900 EBAA 1612 F/C900	111.10	222.20
180	2	EA	4 A2360-23 MJ RW GV OL L/ACC MUELLER GATE VALVE	368.78	737.56
190	54	FT	4 TJ PR350 DI PIPE C/L	12.44	671.76
200	2	EA	4 MJ 90 BEND(I) CP DI C153	35.34	70.68
210	2	EA	4 MEGAFLANGE 2104	62.97	125.94
220	10	EA	4 MEGALUG MJ REST. BLACK 1104	16.95	169.50
230	10	EA	4 MJ BOLT & GSKT KIT	7.81	78.10
240	10	EA	4 MJ REGULAR GASKET F/DI		
250	40	EA	3/4X3-1/2 COR-TEN T-HEAD B&N		
260	4	EA	564-S VLV BOX WTR COMP IMP	64.75	259.00
270	220	FT	37X220 PERF POLYWRAP F/14-18	.70	154.00
280	220	FT	29X220 PERF POLYWRAP F/8-12	.55	121.00
290	220	FT	22X220 PERF POLYWRAP F/4-6	.63	138.60
300	10	EA	2"X100' POLYWRAP TAPE	5.58	55.80
310	500	FT	12GA X 500' THHN SOLID WIRE BLACK	.17	85.00
320	2	EA	404-1426-08IP 12XIIP DSS SAD JCM 13.10-14.38 OD	90.39	180.78
330	10	EA	1X3 STD GALV NIPPLE	1.16	11.60
340	2	EA	1 STD GALV TEE	1.87	3.74
350	1	EA	1 STD GALV CAP	1.21	1.21
360	4	EA	1 QTR TURN BALL VLV 5544	11.80	47.20
370	2	EA	3" ASHCROFT DIGITAL GAUGE	437.00	874.00
380	2	EA	404-0545-08IP 4X1IP DSS SAD	47.24	94.48

Run Date 8/16/11

HD SUPPLY WATERWORKS, LTD.

RMCI, INC.
STOCK-ALBUQUERQUE
PO BOX 91447
ALBUQUERQUE NM 87199
Telephone: 505-345-0008
Fax: 505-345-0111

HDSWW - ALBUQUERQUE NM -N
6135 Second Street NW
Albuquerque NM 87107
Telephone: 505-344-0223
Fax: 505-344-0350

8/15/11 Bid ID: 2849865 VALLE VISTA PRV

Page 2

Line	Quantity	Sell Per	Description	Net Price	Extended Price
			JCM 4.74-5.45 OD		
390	10	EA	1X3 STD GALV NIPPLE	1.16	11.60
400	2	EA	1 STD GALV TEE	1.87	3.74
410	1	EA	1 STD GALV CAP	1.21	1.21
420	4	EA	1 QTR TURN BALL VLV 5544	11.80	47.20
430	2	EA	3" ASHCROFT DIGITAL GAUGE	437.00	874.00

Subtotal: 15,705.24

Tax: .00

Bid Total: 15,705.24

HYDRAULIC CONTROL VALVES

PRODUCTS

- 2.01 Cla-Val Co., Newport Beach, CA, O.A.E.
- 2.02 DESIGN AND CONSTRUCTION
- A. Valve design to be globe single diaphragm type in horizontal or angle pattern as required; edges of diaphragm shall be exposed; rolled diaphragms not allowed. Main valve shall be NSF 61 approved for drinking water service.
- B. Main valve seat:
1. single, removable seat with a 5° taper, shall serve as lower stem guide, and include a precision machined O-ring gland
 2. In full port valves 6" and smaller, the seat shall be a screw-in design (to not cause damage to the O-ring). 8" and larger full port valves, seat shall be held in place with screws. Slanted seats are not allowed.
- C. Main Valve disc to be retained on 3-1/2 sides. O-ring type discs are not allowed.
- D. Main valve stem
1. Guided by bearings at the top in the valve cover at the bottom in the valve seat.
 2. The stem shall be machined with spiral flutes on each end, the length of the stem travel and be drilled and tapped on the cover end to accept accessories. Sleeved or coated stems are not acceptable.
 3. Fluted stems shall be a regular feature of valve construction and shall be proven to be successful under hard water service conditions for a minimum period of ten years.
- E. Control system components shall be manufactured by the same company as the main valve.
- F. Main valve diaphragm:
1. Vulcanized at stem hole and not used as the seating surface.
 2. Capable of withstanding Mullins Burst test of 600 psi per nylon layer.
 3. Fully supported in full open and full closed positions by precision machined surfaces.
 4. Protected from over-extension in full open position by contact of precision machined surfaces of diaphragm washer and cover stops.
- G. All necessary repairs and/or modification shall be possible without removing the main valve from the line.
- H. Valve to be hydraulically operated, pilot controlled diaphragm type.
- I. Valve cover and body mating surfaces: Precision machined with register fits and serrated surfaces to grip and seal the diaphragm and center the cover without use of locating or alignment pins; valve cover shall be of a single piece design.
- J. Single chamber type valves;

1. Single operating chambers sealed from each other by the diaphragm.
 2. Removable guide bearings for main stem.
 3. Disc guide: one piece design with straight edges and radius on top edge; hour glass shaped designs are not allowed.
- K. Dual chamber type valves:
1. Two operating chamber sealed from each other by the diaphragm.
 2. Lower operating chamber: separated from line pressure by an o-ring seal.
 3. Check flow feature when scheduled: life type, non-hydraulic check feature using a two-piece stem.
 4. Main valve stem to be fully guided with bearings in the valve cover seat for port sizes 8" and smaller
- L. Reduced Port type: valve seat diameter to be one nominal size smaller than valve flange diameter
- M. Self-cleaning strainers shall be used to protect the pilot control system
- N. The valve manufacturer shall also provide a computerized cavitation chart which shows flow rate, differential pressure, percentage of valve opening, Cv factor, system velocity, and if there will be cavitation damage. All analysis to be fully supported by independent 3rd party testing laboratory.
- O. Automatic valves and controls shall be warranted for at least three years from date of shipment against manufacturing defects in material and workmanship which develop in the service for which they are designed, provided the products are installed and used in accordance with all applicable manufacturer instructions.

2.03 MATERIALS

- | | | |
|----|--|------------------------|
| A. | Main valve body and cover..... | Ductile Iron ASTM A536 |
| B. | Main valve stem, nut, & spring..... | 303 SS |
| C. | Main Valve seat and bearings (standard trim).... | Bronze, ASTM B62 |
| | Main Valve seat and bearings (KO trim)..... | 316 Stainless steel |
| D. | Diaphragm and disc..... | Buna N Rubber |
| E. | pilot system Tubing and fittings | 304SS |
| F. | Pilot valve body and cover..... | Bronze, ASTM B62 |
| G. | Pilot seat..... | 303 SS |
| H. | Disc retainer and diaphragm washer..... | Cast iron |

PART 3 EXECUTION

3.01 FIELD SERVICE REPRESENTATIVE

- A. Manufacturer's representative shall have an office located within 50 miles of jobsite that is capable of providing repair service and maintains minimum of \$50,000 in valve parts inventory and employs service personnel that are factory trained.
- B. All equipment shall be operationally tested by the Supplier at the jobsite following installation of equipment, controls, valves, and piping. The Supplier shall make all the necessary repairs and/ or adjustments. Adjustments shall be repeated until the installation is complete and the equipment is functioning properly and accurately and is ready for continuous operation
- C. Start-up, check and adjust systems and components, train owners personnel: Four

(4) hours on-site minimum.

3.03 SCHEDULE

Pressure Reducing Valves

4" Cla-Val Model 90G-01BYKCKD Pressure reducing valve, O.A.E.

CL-150 flanged ends, globe pattern, full port valve, Ductile iron body, SS DuraKleen O.A.E. fluted valve stem, NSF fusion bonded epoxy coating applied to valve interior and exterior, with pilot system isolation cocks, copper pilot system tubing and fittings, with pilot system Y strainer, with X-101 valve stem position indication

12" Cla-Val Model 690G-01BYKCKD Pressure reducing valve, O.A.E.

CL-150 flanged ends, globe pattern, reduced port valve, Ductile iron body, SS DuraKleen O.A.E. fluted valve stem, NSF fusion bonded epoxy coating applied to valve interior and exterior, with pilot system isolation cocks, copper pilot system tubing and fittings, with pilot system Y strainer, with X-101 valve stem position indication

END

Daniel Mayfield
Commissioner, District 1

Virginia Vigil
Commissioner, District 2

Robert Anaya
Commissioner, District 3



Kathy Hollian
Commissioner, District 4

Liz Stephanics
Commissioner, District 5

Katherine Miller
County Manager

UTILITIES DEPARTMENT

MEMORANDUM

TO: Roberta D. Joe, Assistant County Attorney

FROM: Paul Casaus, Utilities Engineering Associate, Utilities Department

THROUGH: Rich Silva, Utilities Infrastructure Manager, Utilities Department
THROUGH: Patricio Guerrerortiz, Utilities Department Director

SUBJECT: Valle Vista LS Change Order #3 (2011-0229-UT/MS)

DATE: 9/12/2011

This memorandum is to seek approval of Change Order No. 3.

RFP #08 – PRV VAULT ON 16 INCH WATERLINE

Background

Please see attached document titled: HYDRAULIC CONTROL VALVES, RFP#08 – PRV VAULT ON 16" WATERLINE.

Justification

The installation of the Pressure Reducing Valve is required to provide the correct amount of pressure that is required by Santa Fe County Fire for fire protection at the Public Safety Complex, Corrections Department, Turquoise Trail Charter School, and the Santa Fe Studios.

ACTION:

The Utilities Department requests that the Change order submitted be approved based on the requirement by Santa Fe County fire. If you have any questions, or need further information, please do not hesitate to contact the Utility Dept.